

Blast Chiller Freezers Crosswise Blast Chiller-Freezer Crosswise - 15kg 5GN 1/1 undercounter (R290)

ITEM # _____

MODEL # _____

NAME # _____

SIS # _____

AIA # _____


725532 (ECBCFA015UE)

 Blast Chiller & Freezer
 Crosswise 15kg,
 undercounter, compatible
 with 6x1/1GN Convection
 Oven Crosswise - R290

Short Form Specification

Item No.

Blast chiller/freezer with digital temperature and time display. For 5 GN 1/1 or 600x400 mm trays (h = 65 mm). Load capacity: chilling 15 kg; freezing 5 kg. Automatic detection of food probe insertion. Automatic and Manual defrost. Blast chilling real remaining time estimation (A.R.T.E.). Turbo cooling function. Thawing function. HACCP and Service alarms with data logging. Connectivity ready (optional): enables real time access to the appliance, possibility to monitor information, such as status, statistics, HACCP data, and receive service alerts. Operating air temperature: +10/-34°C. Single sensor food probe. Main components in 304 AISI stainless steel. Suitable for undercounter installation. Internal rounded corners and drain. Evaporator with antirust protection. Performances guaranteed at ambient temperature of +40°C. Cyclopentane insulation (HCFC, CFC and HFC free). R290 refrigerant gas (HCFC and CFC free). Built-in refrigeration unit.

Main Features

- Blast Chilling cycle: 15 kg from 90°C up to 3°C.
- Freezing cycle: 5 kg from 90°C up to -34°C.
- Chilling cycle with automatic preset cycles:
 - Soft Chilling, ideal for delicate food and small portions.
 - Hard Chilling, ideal for solid food and whole pieces.
- Turbo cooling: chiller works continuously at the desired temperature; ideal for continuous production.
- Thawing cycle, ideal for defrosting food in a controlled and safe environment.
- Multi-purpose internal structure suitable for gastronorm, bakery trays or ice-cream basins.
- Possibility to modify the cavity temperature in turbo cooling and thawing cycles.
- Remaining time estimation for probe-driven cycles based on artificial intelligence techniques (ARTE) for an easier planning of the activities.
- Single sensor core probe as standard.
- On-board HACCP monitoring capable.
- Performance guaranteed at ambient temperatures of +40°C (Climatic class 5).
- Automatic and manual defrosting.

Construction

- IP21 protection index.
- No water connections required.
- Ventilator swinging hinged panel for access to the evaporator for cleaning.
- Waste water can be plumbed into drain, but can also be collected in an optional waste container.
- Built-in refrigeration unit.
- Main components in 304 AISI stainless steel.
- Evaporator with antirust protection.
- Automatic heated door frame.
- Door reversible on site.
- Door stopper to keep the door open in order to avoid the formation of bad smells (kit available to be mounted on site, depending on preferred door hinge).

User Interface & Data Management

- Control unit provides two large displays to read out: time, core temperature, cycle countdown, alarms, service information.
- Connectivity ready for real time access to connected appliances from remote and HACCP monitoring (requires optional accessory).

Sustainability

- Holding at +3 °C for chilling or -20 °C for freezing, automatically activated at the end of each cycle, to save energy and maintain the target temperature (manual activation is also possible).
- High density polyurethane insulation, 60 mm thickness, HCFC free.



APPROVAL: _____

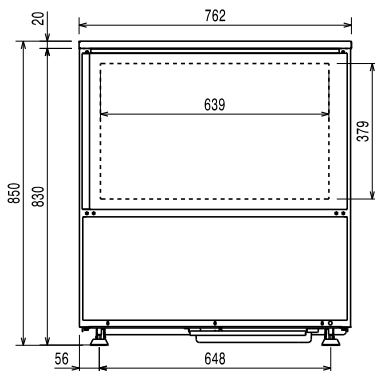
Included Accessories

- 1 of 1 single-sensor probe for blast chiller/freezers PNC 880213

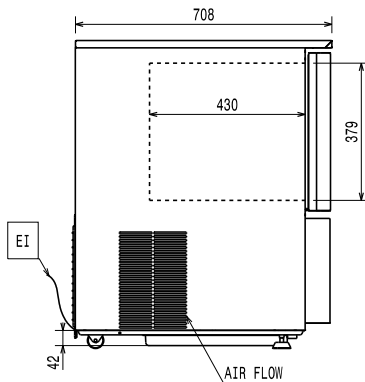
Optional Accessories

- 1 single-sensor probe for blast chiller/freezers PNC 880213
- Kit 4 feet for blast chiller/freezers crosswise 15-25 kg - h100mm PNC 881295
- Kit 4 wheels for blast chiller/freezers crosswise 15-25 kg - h100mm PNC 881296
- Pair of AISI 304 stainless steel grids, GN 1/1 PNC 921101
- Pair of AISI 304 stainless steel grids, GN 1/1 PNC 922017
- AISI 304 stainless steel grid, GN 1/1 PNC 922062
- AISI 304 stainless steel bakery/pastry grid 400x600mm PNC 922264
- IoT module for blast chiller/freezers crosswise PNC 922419
- POE switch PNC 922432

Front

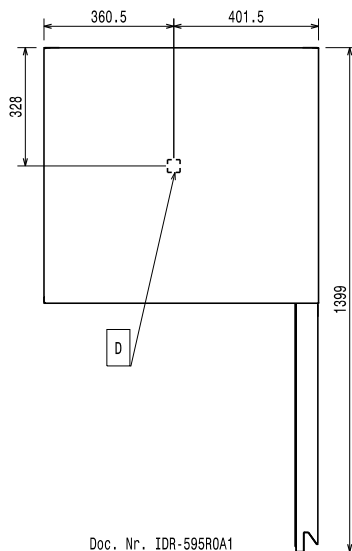


Side



EI = Electrical inlet (power)

Top



Electric

Supply voltage:

725532 (ECBCFA015UE) 220-240 V/1 ph/50 Hz

Electrical power max.:

1.1 kW

Circuit breaker required

Installation:

Clearance:

5 cm on sides and back.

Please see and follow detailed installation instructions provided with the unit

Capacity:

Number and type of grids: 5 (GN 1/1; 600x400)

Number and type of basins: 4 (360x250x80h)

Key Information:

External dimensions, Width: 762 mm

External dimensions, Depth: 708 mm

External dimensions, Height: 850 mm

Net weight: 85 kg

Shipping weight: 97 kg

Shipping volume: 0.69 m³

Refrigeration Data

Refrigeration power at

evaporation temperature: -20 °C

Operating temperature min.: -34 °C

Operating temperature max.: 90 °C

Product Information (EN17032 – Commission Regulation EU 2015/1095)

Chilling Cycle Time (+65°C to +10°C):

107 min

Full load capacity (chilling): 15 kg

Freezing Cycle Time (+65°C to -18°C):

246 min

Full load capacity (freezing): 5 kg

Test performed in a test room at 30°C to chill/ freeze (+10° C/-18°C) a full load of 40mm deep trays filled with mashed potatoes evenly distributed up to a height of 35 mm at starting temperature between 65° and 80°C within 120/270min.

ISO Certificates

ISO Standards:

ISO 9001; ISO 14001; ISO 45001; ISO 50001

Sustainability

Refrigerant type: R290

R290

GWP Index: 3

3

Refrigeration power: 1203 W

1203 W

Refrigerant weight: 130 g

130 g

Energy consumption, cycle (chilling):

0.1024 kWh/kg

Energy consumption, cycle (freezing):

0.5753 kWh/kg

 Blast Chiller Freezers Crosswise
 Blast Chiller-Freezer Crosswise - 15kg 5GN 1/1 undercounter (R290)

The company reserves the right to make modifications to the products without prior notice. All information correct at time of printing.